

ENFORCER® Dashboard Camera

1080p
Resolution

GPS
Built-in

DC-200GQ

*You can't always see or remember what happens on the road. Who'll believe that you were going the speed limit...or that you saw a giant meteor? With the **ENFORCER** Dashboard Camera, seeing is believing. Prevent vandalism, fight insurance fraud, monitor driving speed, or capture that perfect scenic drive. Life on the road's never been easier or safer:*

- ✓ Prevent insurance fraud
- ✓ Keep visual record of accidents
- ✓ Capture scenic drives
- ✓ Document your travel and route
- ✓ Use as video black box
- ✓ Record vehicle audio
- ✓ Monitor employees and company fleet vehicles
- ✓ Monitor driving speed
- ✓ Protect your parked vehicle
- ✓ Use as backup camera to document accidents
- ✓ Fight police tickets with video evidence
- ✓ Record lawbreakers and bad drivers
- ✓ Prevent vehicle abuse and misuse
- ✓ Share events with friends



Features:

- 1080p HD Video recording
- 140° Wide viewing angle
- 3MP CMOS Sensor
- Wide Dynamic Range (WDR) – captures clear images even in strong backlight
- 2.7" 16:9 Widescreen display
- Remove from mount and use as a camera to take video or still images
- Store images and video on micro SD card (up to 32GB) (micro SD card not included)
- Exports as MOV format
- HDMI Output
- G-Sensor for automatic file protection
- GPS Tracker logs camera location and speed while recording
- Playback using SL ENFORCER Dash Camera Player software, with integrated Google Maps™

SECO-LARM® U.S.A., Inc.

16842 Millikan Avenue, Irvine, CA 92606

Phone: (949) 261-2999 | (800) 662-0800 Fax: (949) 261-7326

Website: www.seco-larm.com Email: sales@seco-larm.com



Copyright 2014 © SECO-LARM U.S.A., Inc. All rights reserved. All trademarks are the property of SECO-LARM U.S.A., Inc. or their respective owners. The SECO-LARM policy is one of continual development. For that reason, SECO-LARM reserves the right to change prices and specifications without notice. SECO-LARM is not responsible for misprints.

SECO-LARM® ENFORCER® CRIMEBUSTER® CBA SLI®

Pi_DC-200GQ_141002.docx

Dashboard Camera

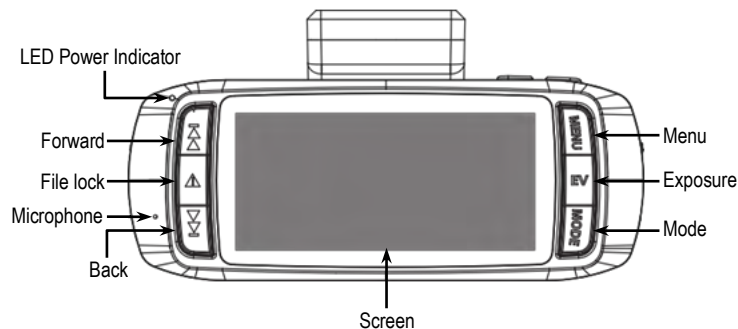
Specifications:

Model	DC-200GQ
Sensor	1/3" CMOS Sensor
Effective pixels	2305 (H) x 1536 (V)
Memory*	Supports Micro SHDC, up to 32GB class 6 or above
Display	2.7" LCD color TFT
Lens	Wide angle fixed focus lens; F1.6, f-3.6mm
Viewing angle	140°
Video resolution	Full HD (1920x1080), 30fps; HD (1280x720), 30fps
Video format	MOV
Snapshot resolution	3MP (2305x1536)
Shutter speed	Electronic shutter; auto: 1/2~1/1000 sec
G-Sensor	3-Axis G-Force sensor
ISO	Auto
White balance	Auto
Microphone	Yes
Speaker	Yes
Interface	Mini USB, Mini C-type HDMI, AV
Battery	200mAH Li-polymer
Input power	12~24 VDC
Current consumption	4.5W
Operating temperature	-4°~149° F (-20°~65° C)
Operating humidity	20~70% RH
Storage temperature	-4°~176° F (-20°~80° C)
Dimensions	4 ⁷ / ₁₆ "x2 ¹¹ / ₃₂ "x1 ¹⁵ / ₃₂ " (112.5x59.5x37.2 mm)
Weight	Approx. 3.5-oz (100g)

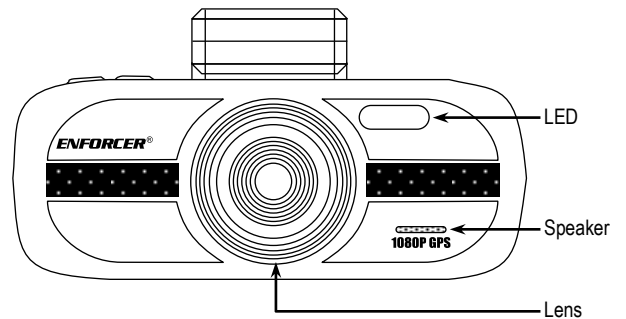
*Micro SD card not included.

Overview:

Rear



Front



Optional Accessory:

DC-ACC-CS1Q

Cigarette Lighter Adapter Socket



SECO-LARM® U.S.A., Inc.

16842 Millikan Avenue, Irvine, CA 92606

Phone: (949) 261-2999 | (800) 662-0800 Fax: (949) 261-7326

Website: www.seco-larm.com Email: sales@seco-larm.com

FC CE RoHS

Copyright 2014 © SECO-LARM U.S.A., Inc. All rights reserved.
All trademarks are the property of SECO-LARM U.S.A., Inc. or their respective owners.
The SECO-LARM policy is one of continual development. For that reason, SECO-LARM reserves the right to change prices and specifications without notice. SECO-LARM is not responsible for misprints.

SECO-LARM® ENFORCER® CRIMEBUSTER® CBA SLI

Pi_DC-200GQ_141002.docx