

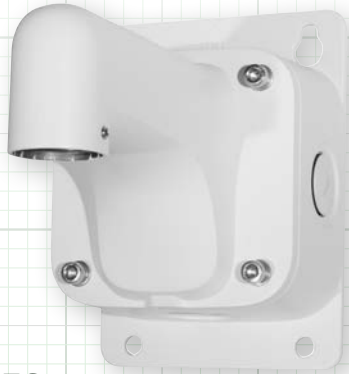
Wall Mount for Select Cameras^{*}

^{*}Requires Appropriate Pendant Cap

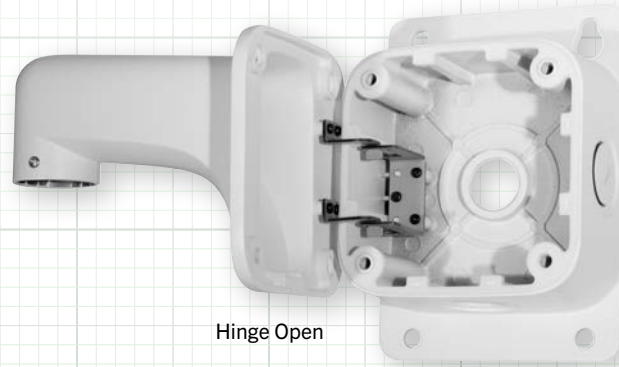
FOR USE WITH THESE Northern[★]

PENDANT CAP MODELS:

N2PC1, N2PC2, N2PC3, N2PC4, N2PC5



N2HWM1



Hinge Open

FEATURES:

- Manages & Protects Cables
- Hinged Wall Arm for Easy Installation
- Side, Back & Bottom 3/4" Conduit Access
- For Indoor & Outdoor Use

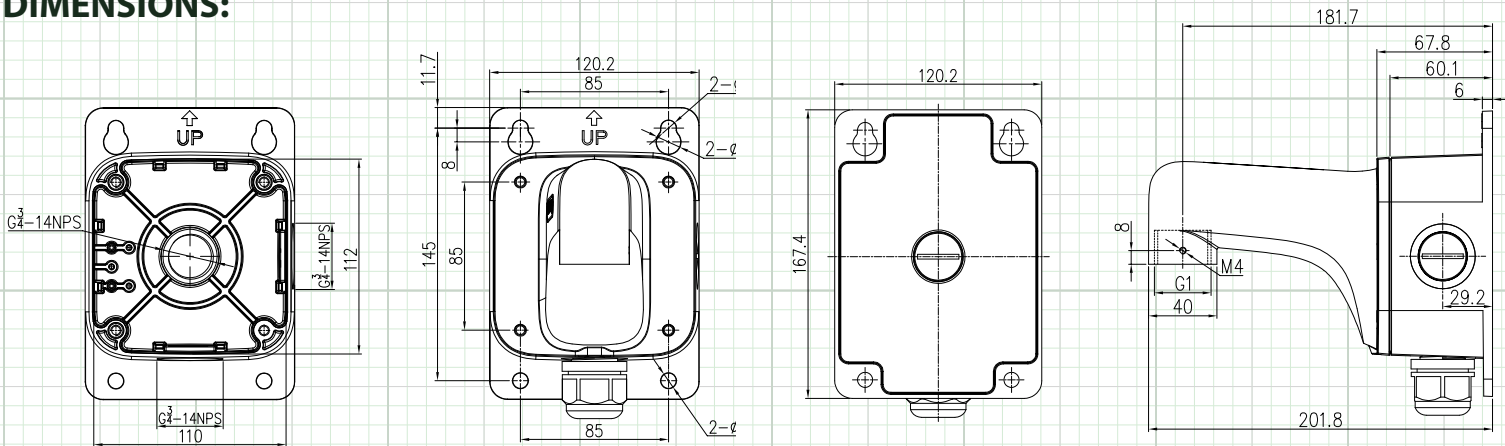
SPECIFICATIONS:

	N2HWM1
Material	Aluminum Alloy
Color	White
Load Bearing	3 kg (6.61 Lb.)
Product Dimensions	201.8 × 120.2 × 167.4mm (7.94 × 4.73 × 6.59")
Product Weight	0.85kg (1.87 Lb.)

PACKAGE INCLUDES:

Item	Qty
Hinged Wall Mount w/ Junction Box	1
3/4" Conduit Caps	2
Plastic Conduit Cable Connector	1
Rubber Grommet	1
Mounting Template	1
Stainless Steel Set Screw	1
Expansion Screws M6×60mm	4
Allen Wrench for Set Screw	1
Allen Wrench for Bracket	1

DIMENSIONS:



Note: Specification subject to change without notice