

N2 Series IP Camera

N2 Series 4MP IP, True WDR, Outdoor IR Turret Camera POE, 2.8mm IR Lens, 100' IR, IP67

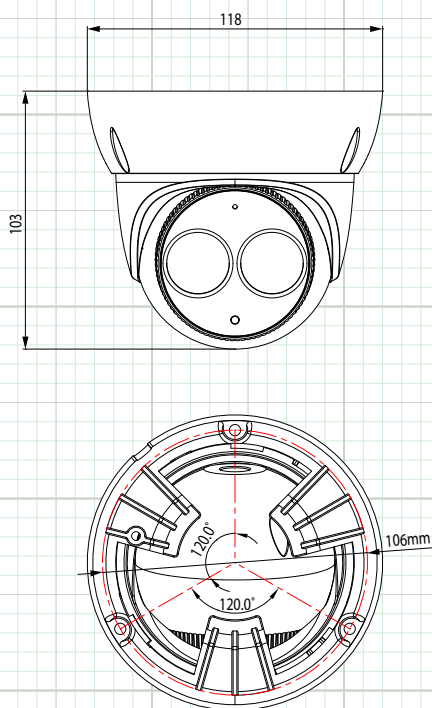


N2IP4T

FEATURES:

- ◆ H.265 & H.264 Compression
- ◆ True Wide Dynamic Range - 120dB
- ◆ Up to 2592 x 1520 Resolution
- ◆ Fixed Focal 2.8mm IR Lens
- ◆ 1 High Power IR LED - 100' IR Range
- ◆ Mechanical IR Cut Filter
- ◆ Triple Stream Capability
- ◆ 3D Digital Noise Reduction
- ◆ POE - Power over Ethernet
- ◆ Free CMS Software
- ◆ ONVIF Profile S/G/Q Compliant
- ◆ IP67 Weatherproof

CAMERA OVERVIEW:



INCLUDED ACCESSORIES:

- Quick Guide, Mounting Template,
- Hardware Packet, Adjustment Wrench,
- Waterproof Connector

Note: Specification subject to change without notice

	FEATURES	N2IP4T
Camera	Image Sensor	1/2.8" Progressive Scan CMOS
	Minimum Illumination	Color: 0.01Lux @(F1.2,AGC ON) , B/W: 0Lux @(IR LED ON)
	S/N Ratio	55dB
	IR LED Count / Range / Nanometer	1 High Power IR LED / 100' Range / 850nm
	Shutter Time	1/5s - 1/20,000s
	Lens (IR Corrective)	Fixed 2.8mm - Angle of View 100° -
	Camera Bracket Adjustment	Pan: 0°~360°, Tilt: 0°~90°, Rotation: 0°~360°
	Day & Night	Yes - True Day/Night with IR Filter - Auto Switch
	DNR (Digital Noise Reduction)	2DNR & 3DNR, Auto / Manual (0-100 Adjustable)
	True Wide Dynamic Range (120dB)	On / Off (0-100 Adjustable)
	BLC (Backlight Compensation)	On / Off (0-100 Adjustable)
	Smart Analytic Features	Perimeter, Single & Double Virtual Fence, Object Left, Object Removal
	Region of Interest	Yes
Video Compression	H.265, H.264, MJPEG (for all stream types)	
Resolution/Bitrate	Max. Resolution	2592 x 1520 (4MP)
	Mainstream Resolution	2592x1520, 2560x1440, 2304x1296, 1920x1080, 1280x720 @25/30FPS
	Substream Resolution	D1, VGA, 640x360, CIF, QVGA @25/30fps
	Third Stream Resolution	VGA, CIF, QVGA @25/30FPS
	Video Bitrate	Main: 500kbps ~ 12000kbps Sub: 100kbps ~ 6000kbps Third: 100kbps ~ 3000kbps
Network	Protocols	IPv4/IPv6, 802.1x, HTTP, HTTPS, TCP/IP, UDP/IP, RTSP, DHCP, NTP, RTPC/ RTP, PPPoE, SMTP, DNS, UPnP, FTP, ARP, SNMP
	General Function	Supports Mirror, Aisle Mode, Smart IR, Password Protection, Privacy Mask, Motion Detection
	Users	Up to 10 Users
	Client Software	NorthernView CMS, NorthernView Mobile App, NorthernView Tools
	Web Browser	IE11, Chrome, Firefox
	Communication Interface	1 Ethernet (10/100 Base-T) RJ-45 Connector
General	Operating Conditions	-30°C ~ 50°C (-22°F ~ 122°F) , Less than 90% RH
	Power Supply	12VDC / POE (IEEE 802.3af)
	Power Consumption & Current	3.5W (IR LED OFF), 8W Max (IR LED ON)
	Weatherproof Rating	IP67
	Housing Material / Color	Aluminum / White
	Overall Camera Dimensions	4.6" x 4.1" (118x103mm)
	Weight	1.3lb / 610g
Certifications	CE / FCC	